



FAN 200

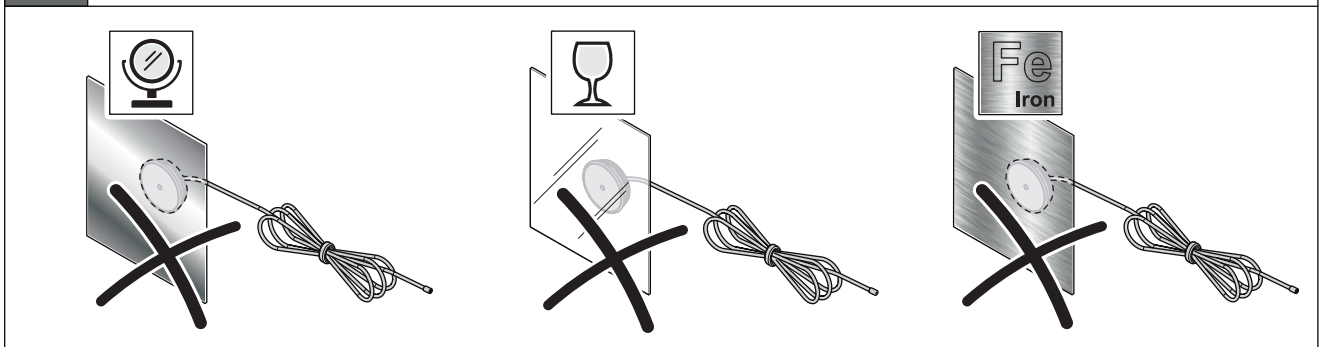
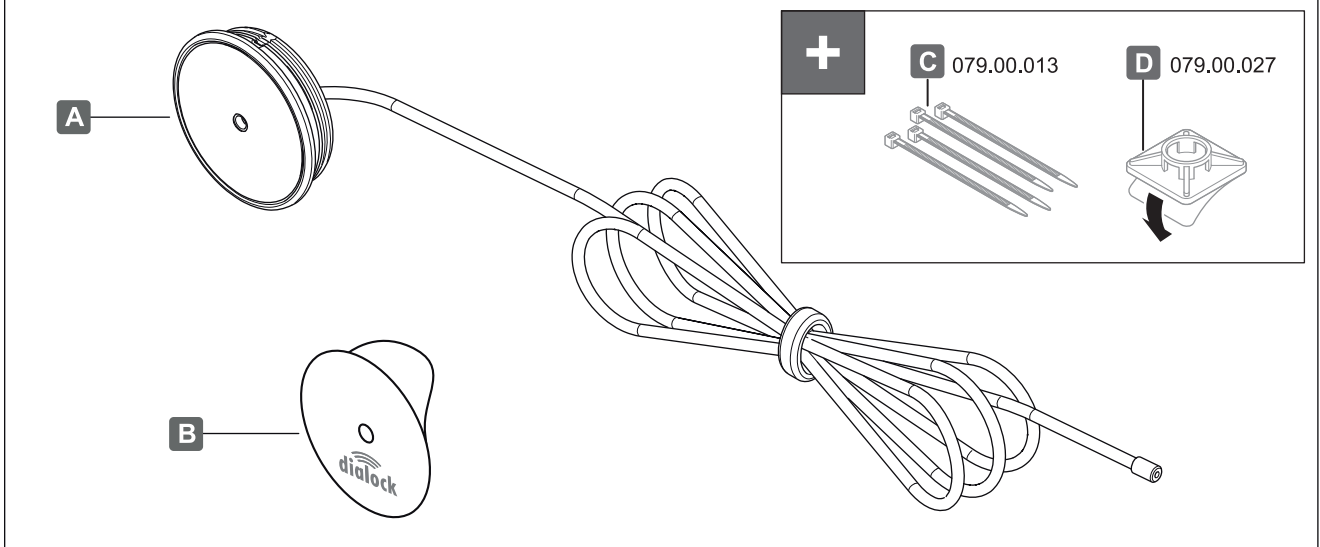
237.59.060
237.59.061
237.59.062



www.hafele.com

237.59.060	L = 1m	≤ 25mm
237.59.061	L = 3m	
237.59.062	L = 5m	

ZN 6.209.020.90a
732.22.029



HDE 06/2019

i mm

$\varnothing 40$
 $\varnothing 35,4$
 8
 2

≥ 8
 $\varnothing 35$
 $\varnothing 12$

≥ 250

≤ 5
 $\varnothing 40$

4.

1 mm

$\varnothing 12$
 $\varnothing 35$
 $\varnothing 40$

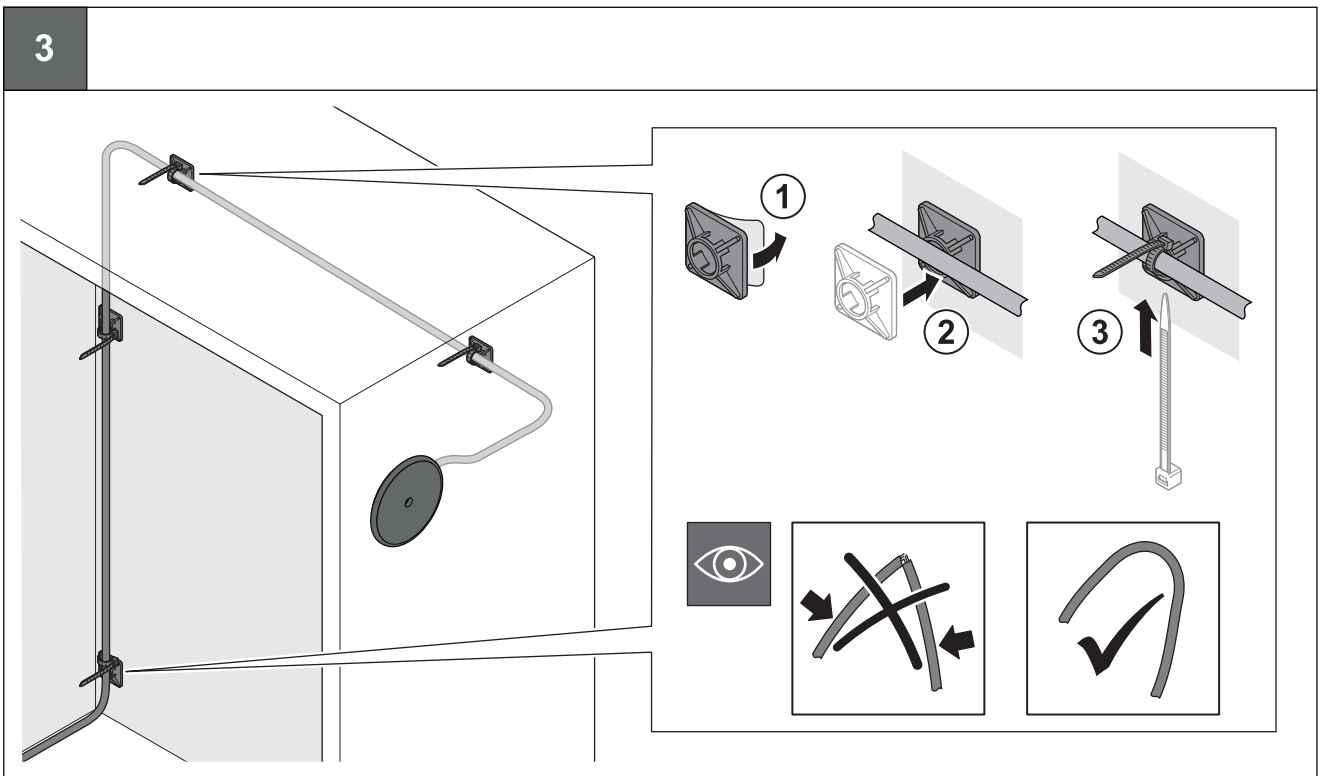
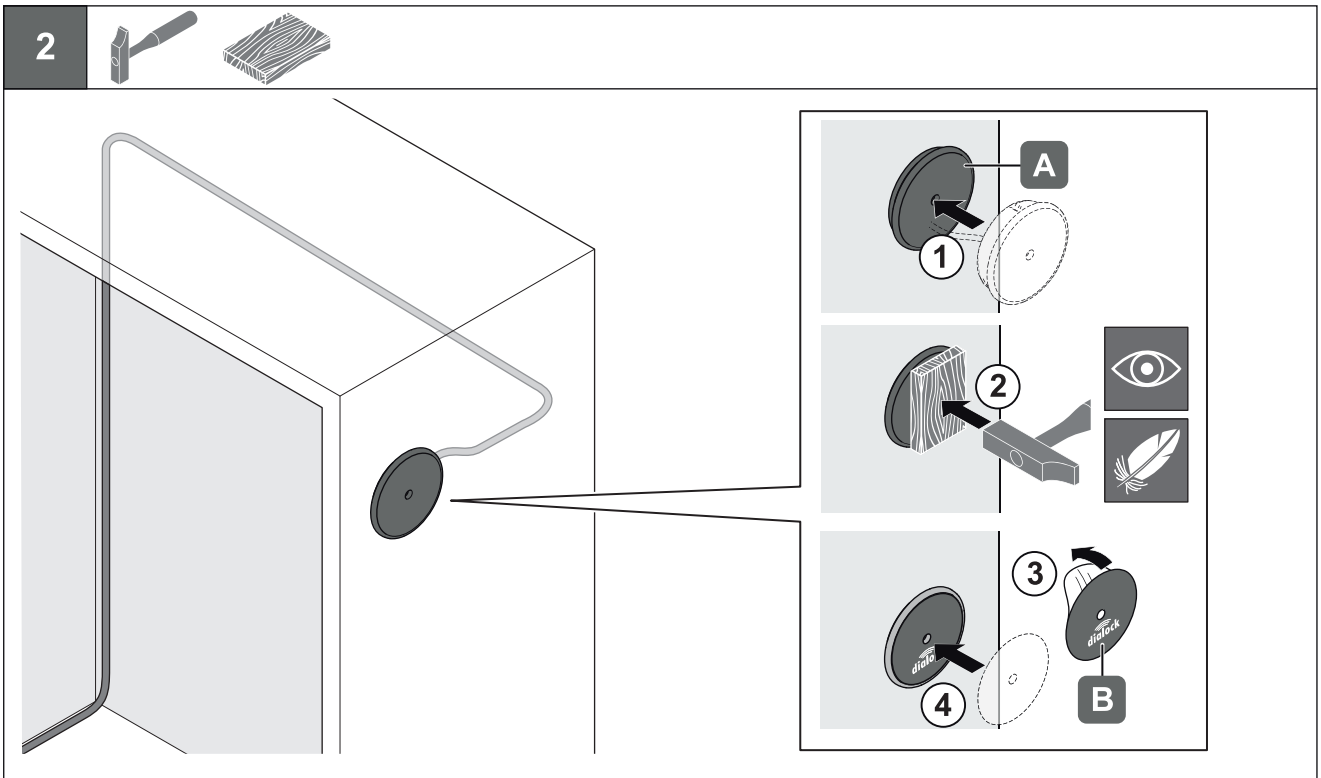
1
 $\varnothing 12$

2
 $\varnothing 35$

$\varnothing 40$

732.22.029

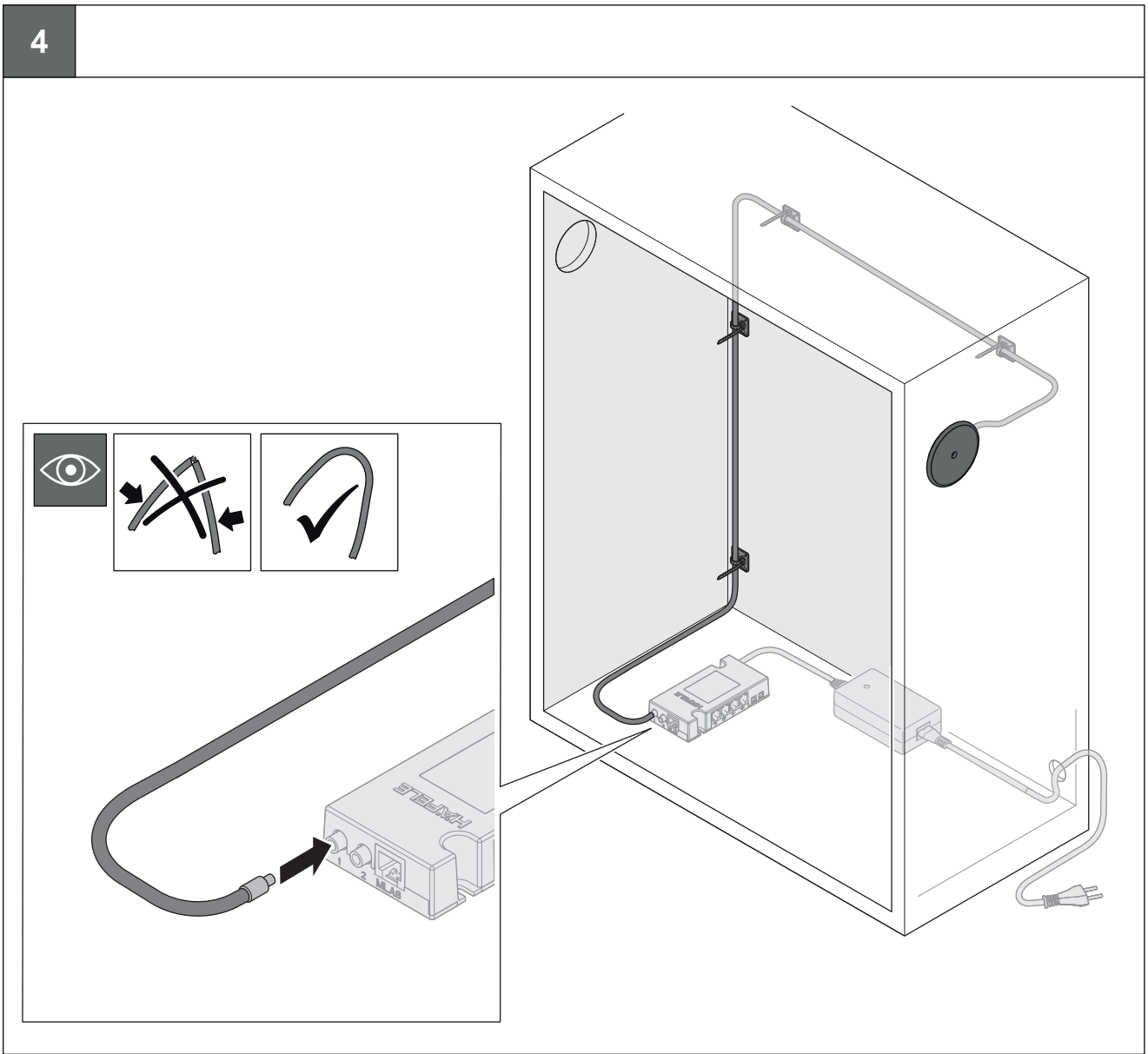
HDE 06/2019



732.22.029

HDE 06/2019

4



732.22.029